



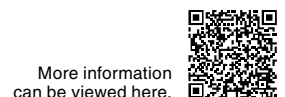
# Air Gripper Unit for Collaborative Robots

Plug & play configuration  
for immediate use

URCap compatible Easy programming



**JMHZ2-X7400B**



More information  
can be viewed here.

P-E20-4

INFORMATION P-E20-4 2020-5

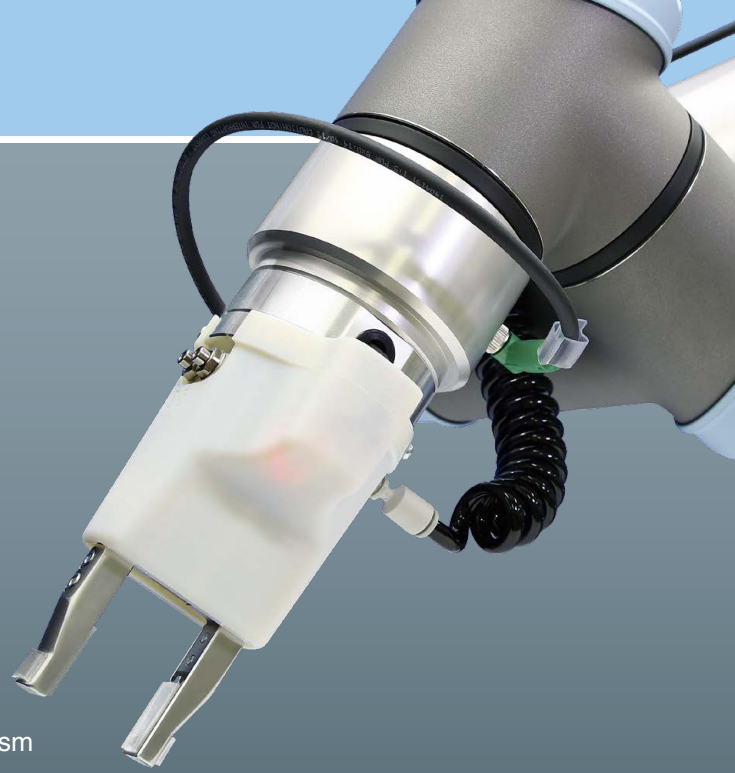
# Air Gripper Unit for Collaborative Robots

UR3(e), UR5(e), UR10(e), UR16e

## Plug & Play

Compact, lightweight product with high gripping force due to air operation  
Operate by simply connecting 1 air supply tube and an electrical wiring M8 connector.

- Integrated solenoid valve and speed adjustment mechanism
- Standards: ISO9409-1-50-4-M6
- URcap compatible (Refer to the back cover)



Standards  
ISO9409-1-50-4-M6



### Specifications

|  |                    |      |
|--|--------------------|------|
| Bore size [mm]                                   | 16                 |      |
| Fluid  | Air                |      |
| Operating pressure [MPa]                         | 0.1 to 0.7         |      |
| Repeatability [mm]                               | ±0.01              |      |
| Action   | Double acting      |      |
| Gripping force<br>Effective value per finger [N] | External           | 32.7 |
|  | Internal           | 43.5 |
| Opening/Closing (Both sides) [mm]                | 10                 |      |
| Weight [g]                                       | 430                |      |
| Standards  | ISO9409-1-50-4-M6  |      |
| Connector type                                   | M8 8 pins (Female) |      |

### How to Order

## JMHZ 2-16 D-X7400 B

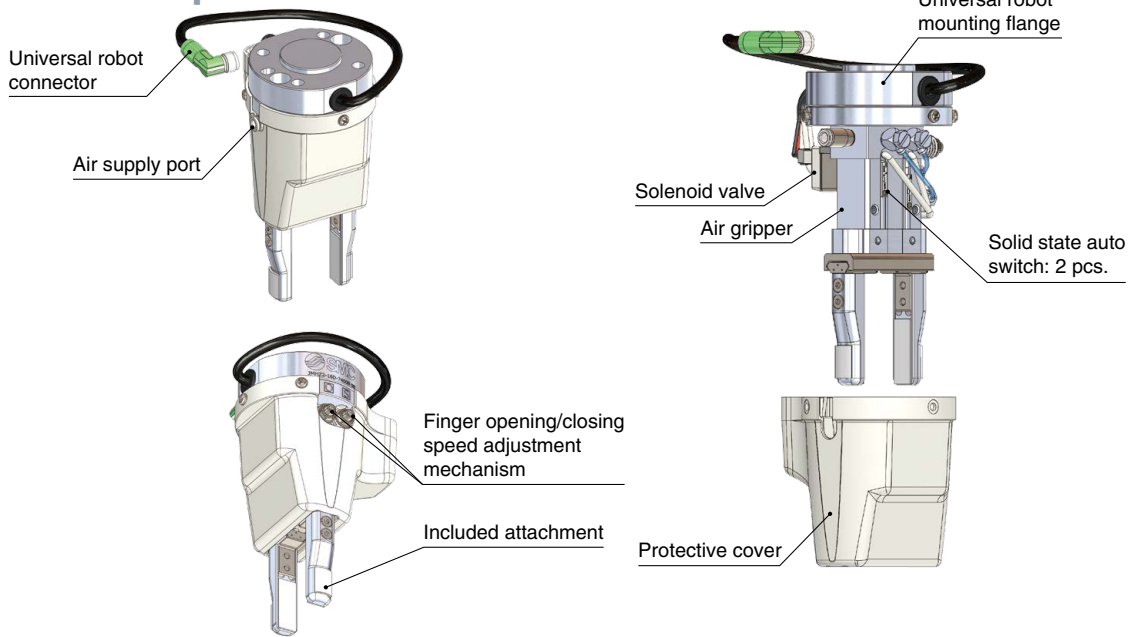
Number of fingers  
2 2

Bore size  
16 16 mm

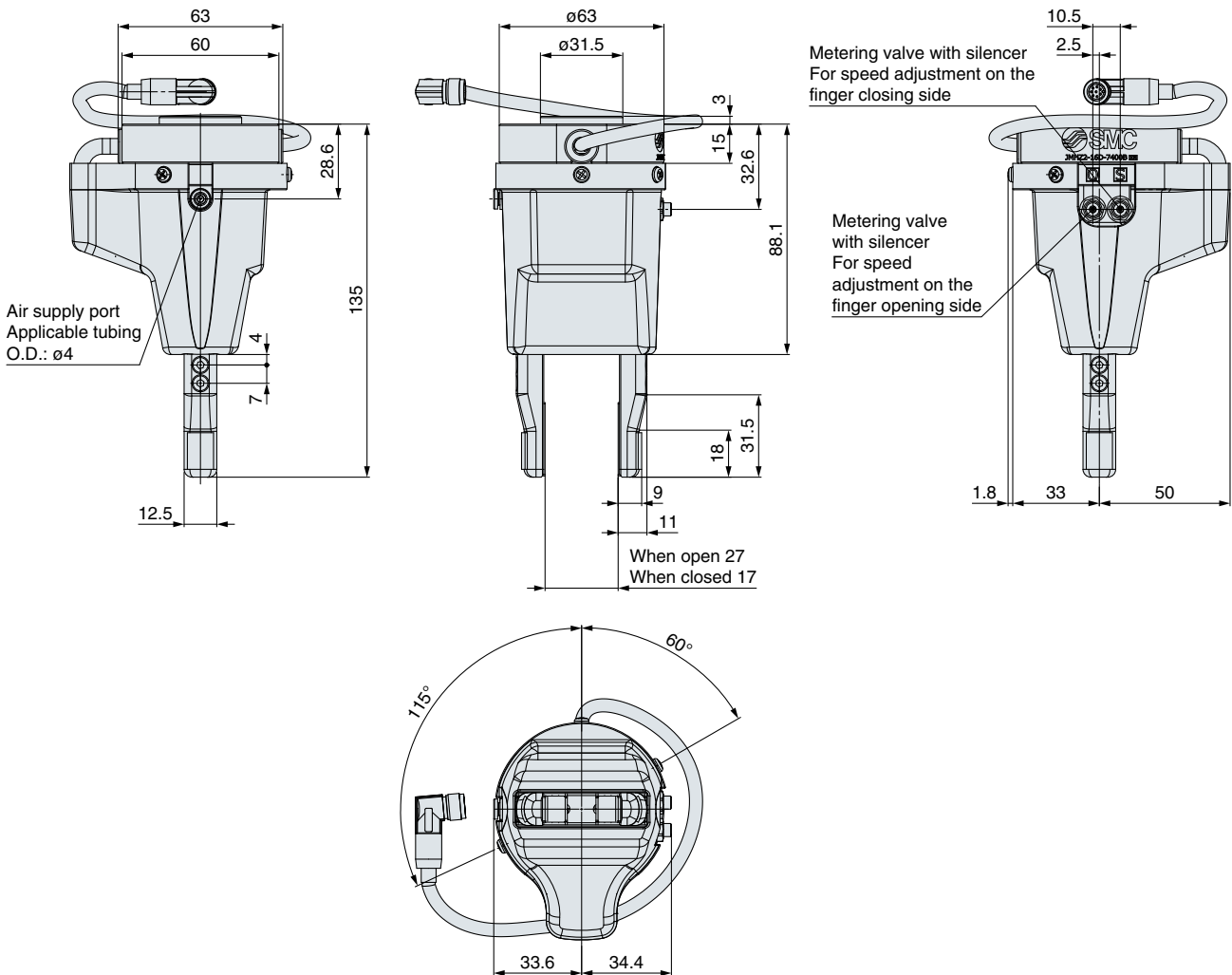
Action  
D Double acting

Protective cover  
B With protective cover

# Parts Descriptions



# Dimensions



# URCap compatible

More information on the URCap software can be viewed here.

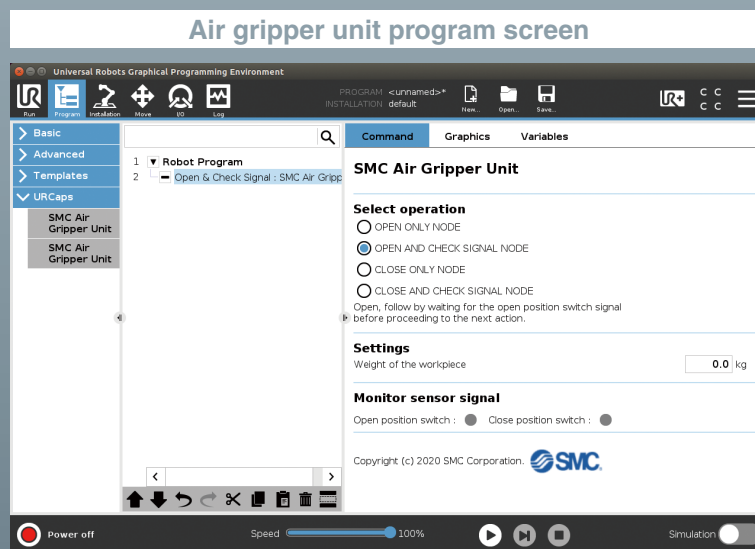
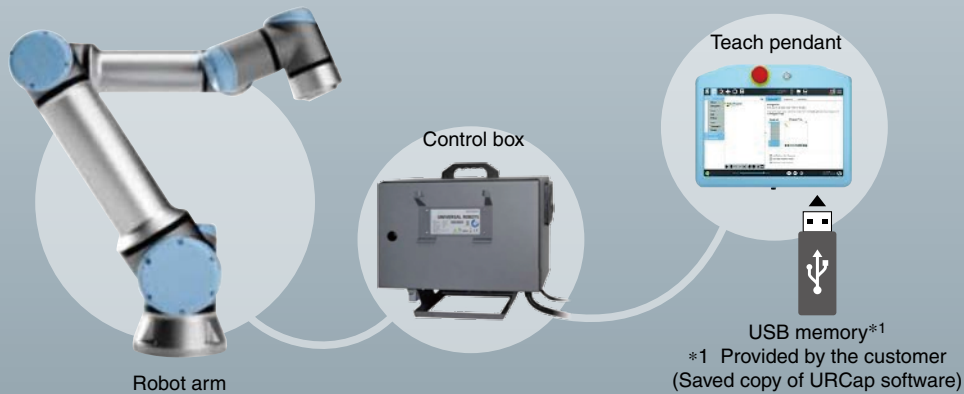


## Easy programming

By using the dedicated software certified for universal robots, URCap, the teaching pendant can conduct various operations intuitively, allowing for sensor signals to be easily incorporated.

Save a copy of the URCap software to a USB memory and insert it into the teaching pendant to easily install the software.

\* Please download the URCap software from the website, and save it to a USB memory.



**⚠ Safety Instructions** Be sure to read the "Handling Precautions for SMC Products" (M-E03-3) and "Operation Manual" before use.